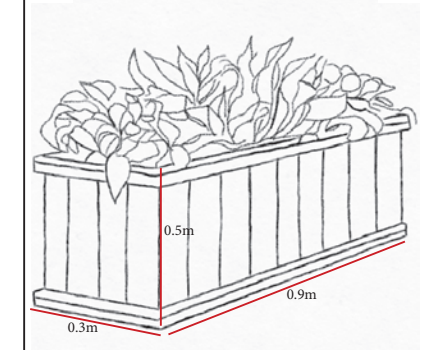
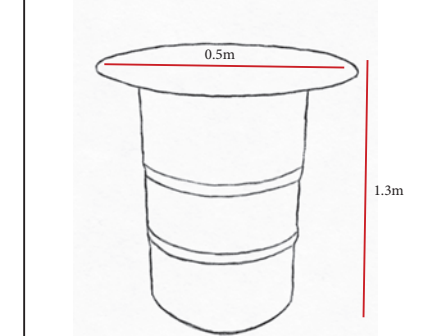
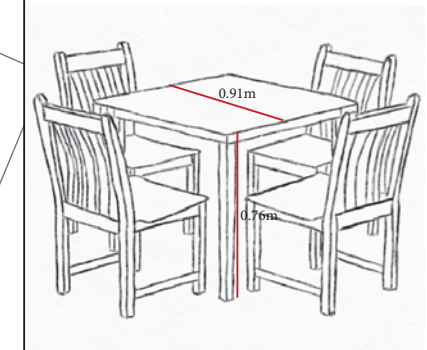




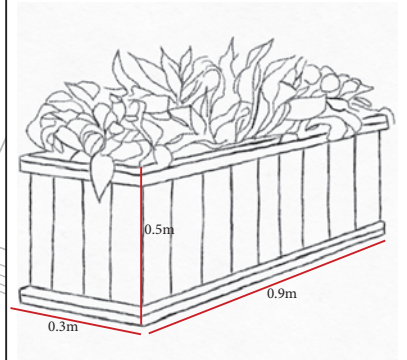
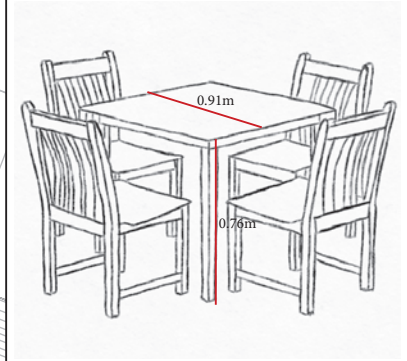
Design Interventions



Overall Plan

1. Considering the available space adding as much seating as possible.
2. Allowing at least 0.5m between tables
3. Keeping entry point clear.

Design Interventions

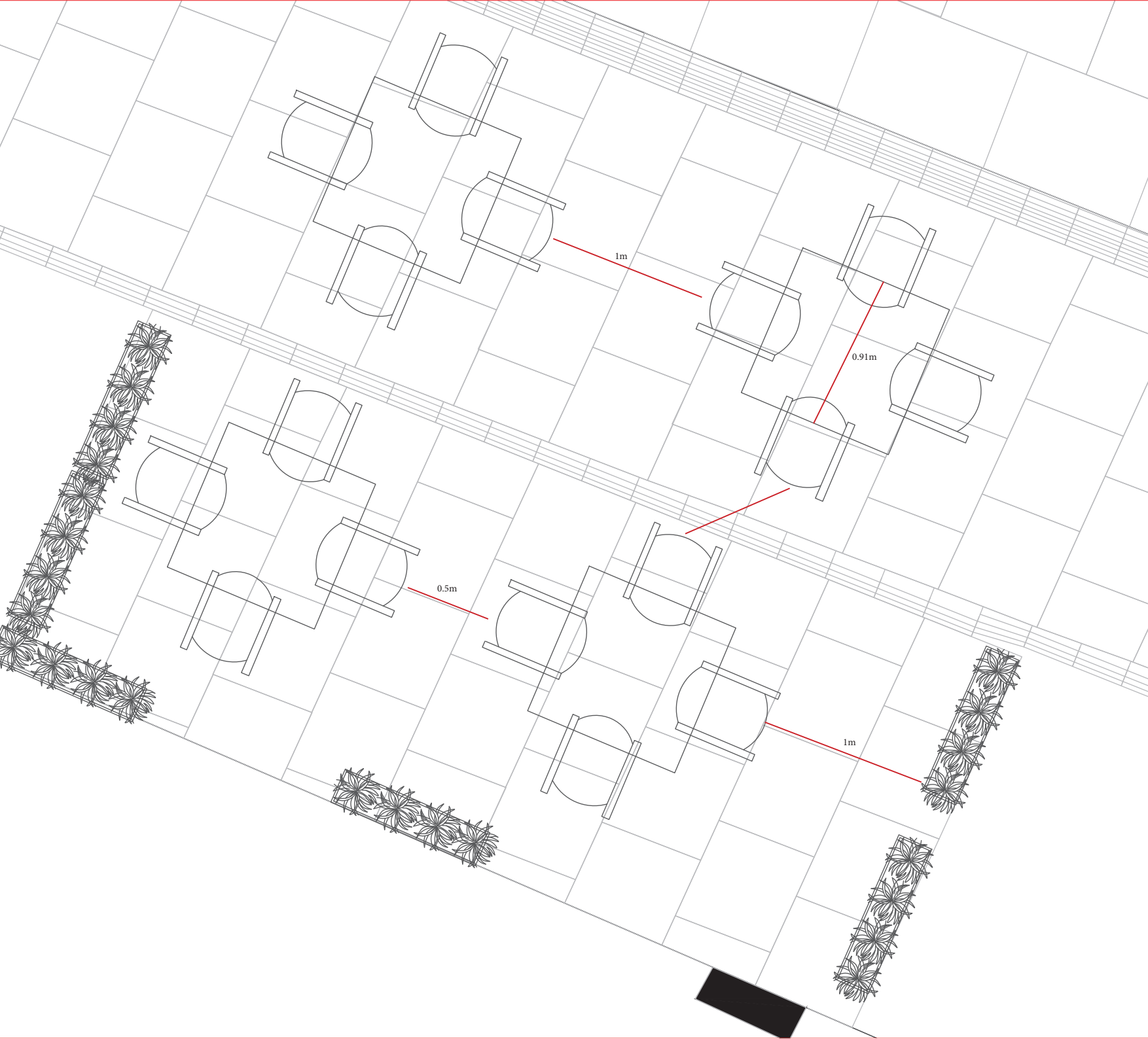


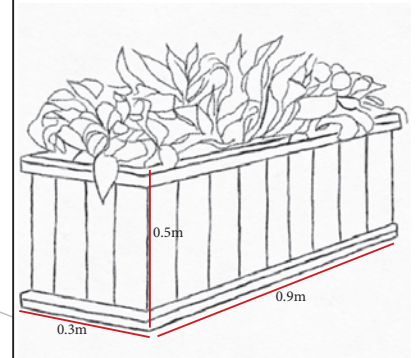
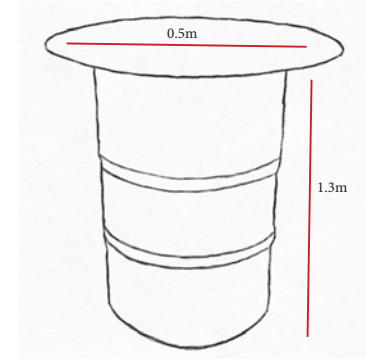
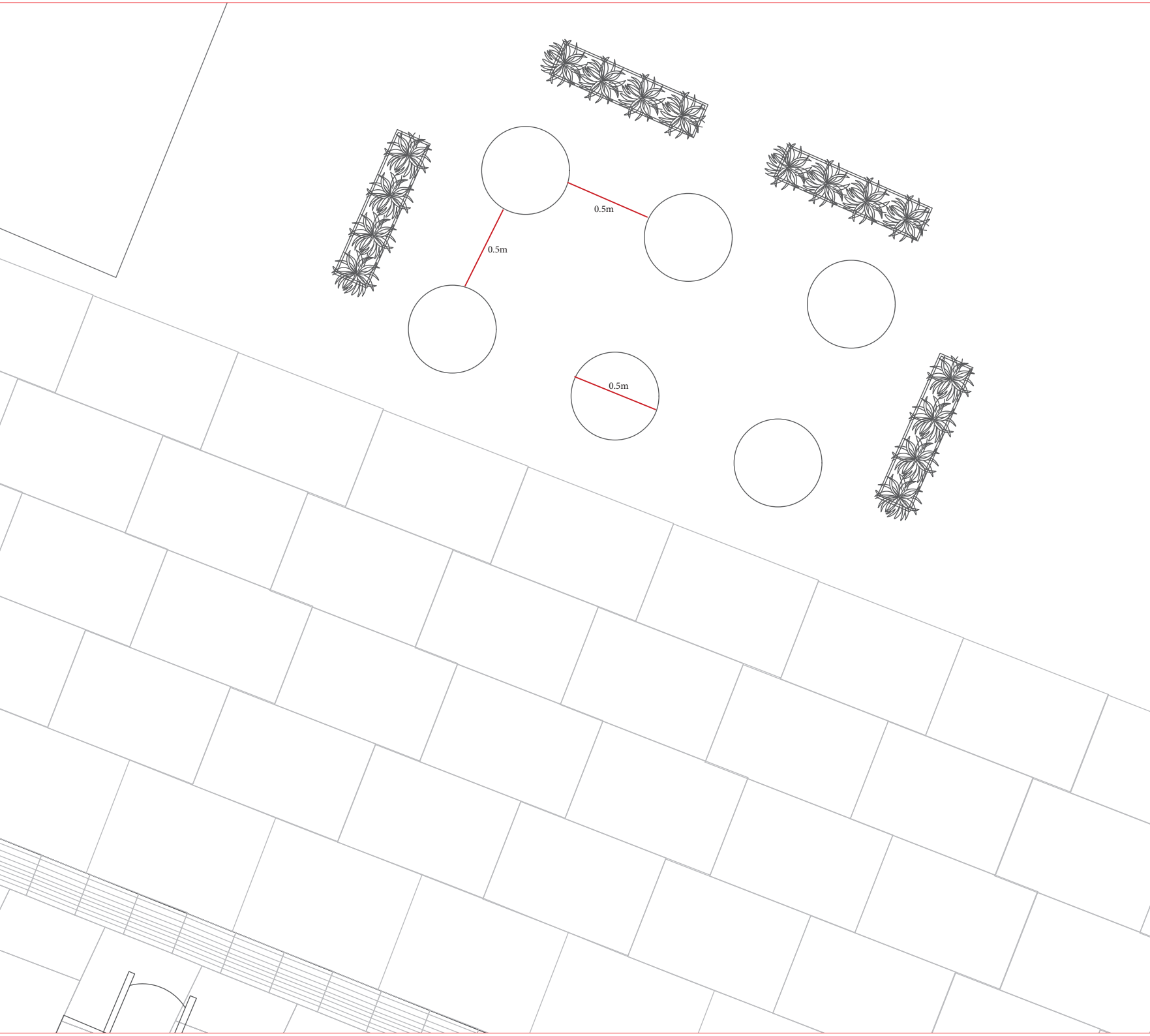
Pub Front

1. Considering the available space adding as much seating as possible.
2. Allowing at least 0.5m between tables
3. Keeping entry point clear.

By I.A

1:20 @A3





Extra Space

1. Considering the available space adding as much tables as possible.
2. Allowing at least 0.5m between tables
3. Keeping vehicle path clear.

By I.A

1:100 @A3